



### Explosion protection

Marking ATEX	Ex II 2G Ex eb IIC Gb Ex II 2D Ex tb IIIC Db
Certification	CML 13 ATEX 3010 U
Marking IECEx	Ex eb IIC Gb Ex tb IIIC Db
Certification	IECEx CML 14.0005 U

Other approvals and certificates, see [bartec.com](http://bartec.com)

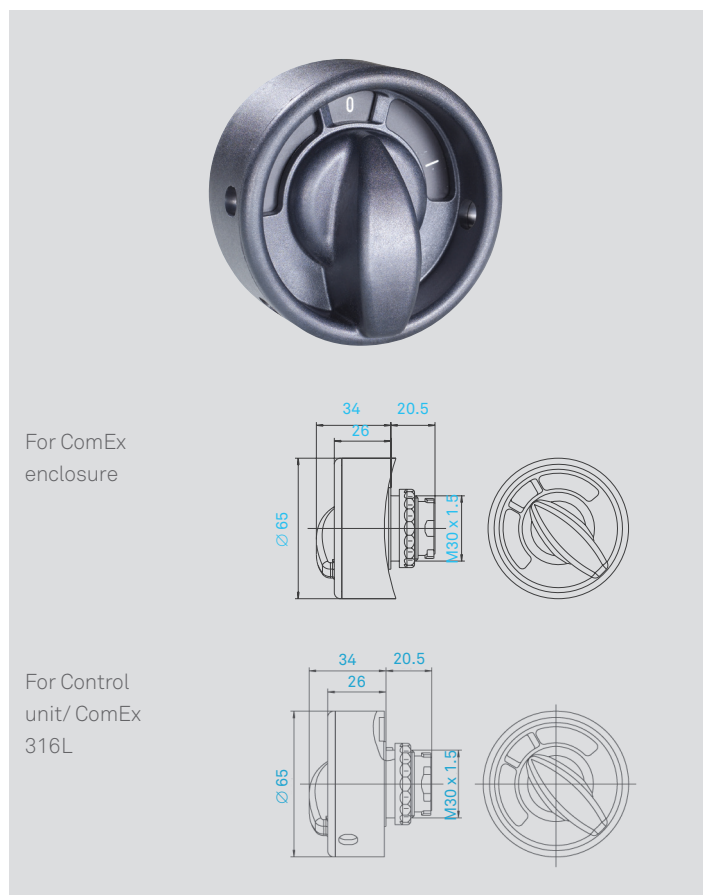
### Temperature range

Service temperature	-40 °C to +70 °C -55 °C to +70 °C*
Storage and transport temperature	-55 °C to +70 °C

\* related to explosion protection according to EN IEC 60079-0

### Technical Data

Protection class	IP66/ IP67
Weight	see table
Impact resistance	7 Nm (Lamp actuators 4 Nm)
Material	Enclosure thermoplastic
Fastening	Installation in enclosures with wall thickness of 1 mm up to 6 mm (threading M30 x 1.5). Suitable for through-holes 30.3 <sup>+0.3</sup> mm



### Position selector switch (black)

Description		Order no.
– with 2 or 3 switch positions with protective collar		
– lockable* only for switch module (2-pole)		
– weight 74 g		
0 - I latching	for control unit (flat)	05-0003-007001
	for ComEx enclosure	05-0003-007101
I - II latching	for control unit (flat)	05-0003-007002
	for ComEx enclosure	05-0003-007102
I - 0 - II bothsides latching	for control unit (flat)	05-0003-007203
	for ComEx enclosure	05-0003-007303
HAND - 0 - AUTO left latching	for control unit (flat)	05-0003-007224
right momentary	for ComEx enclosure	05-0003-007324
MAN - 0 - AUTO left latching	for control unit (flat)	05-0003-007225
right momentary	for ComEx enclosure	05-0003-007325

\* 3 boreholes in the protective collar to fit padlocks the switch position 0 (I) or to customer specifications



### Double pushbutton actuator

Description		Order no.
– 5 labels red, green, yellow, white, black, supplied loose		
– weight 52 g		
for ComEx enclosures		05-0003-007500
for control units		05-0003-007400



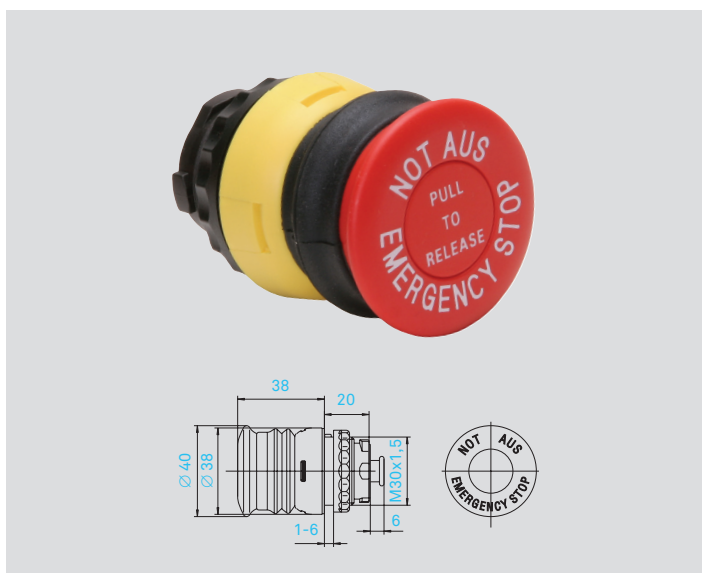
### Pushbutton

Description	Order no.
<ul style="list-style-type: none"> <li>5 labels red, green, yellow, white, black, supplied loose</li> <li>weight 24 g</li> </ul>	
for ComEx enclosures	05-0003-000700



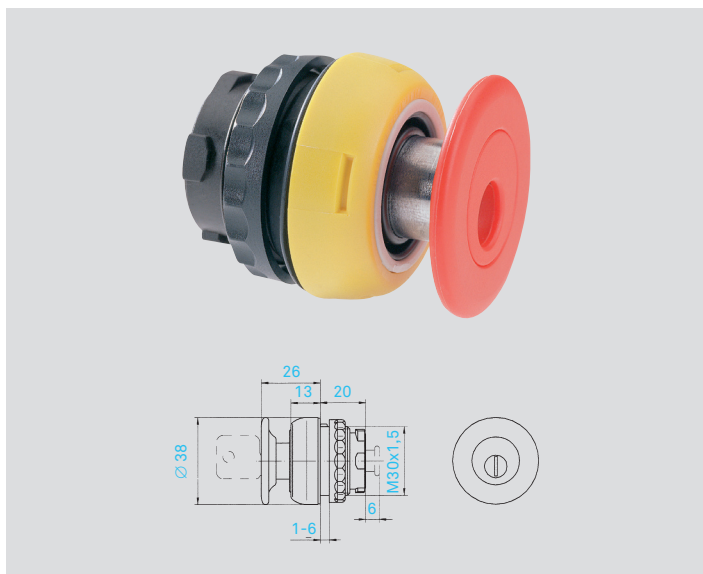
### Mushroom pushbutton

Description	Order no.
<ul style="list-style-type: none"> <li>weight 74 g</li> </ul>	
black, unlabelled	05-0003-001800
red, unlabelled	05-0003-001802



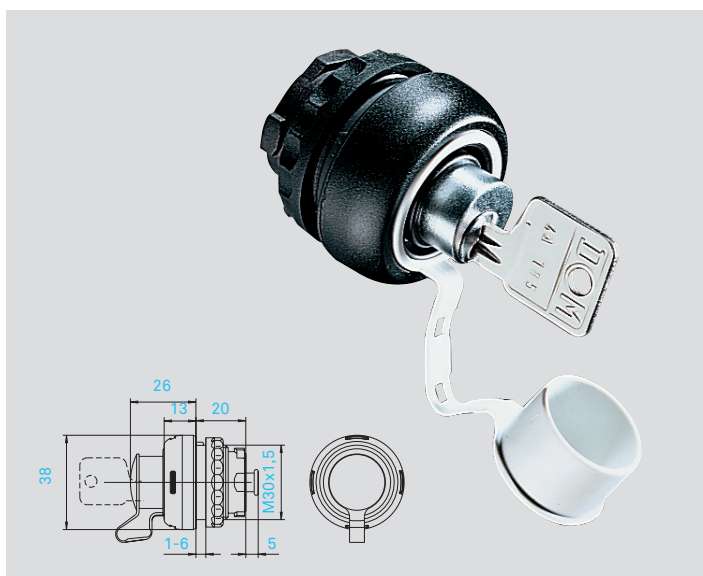
### Emergency stop slam button

Description	Order no.
<ul style="list-style-type: none"> <li>weight 46 g</li> <li>DIN EN 60204-1: 2007</li> <li>DIN EN 60947-5-1: 2005 (VDE 0660 Teil 200)</li> </ul>	
Pushbutton with imprint "NOT-AUS EMERGENCY STOP" "Pull to Release"	05-0003-000800
Pushbutton with imprint "ARRET"	05-0003-000802
Pushbutton yellow, unlabelled	05-0003-000801
Pushbutton black, unlabelled	05-0003-000803
Pushbutton red, unlabelled	05-0003-000804



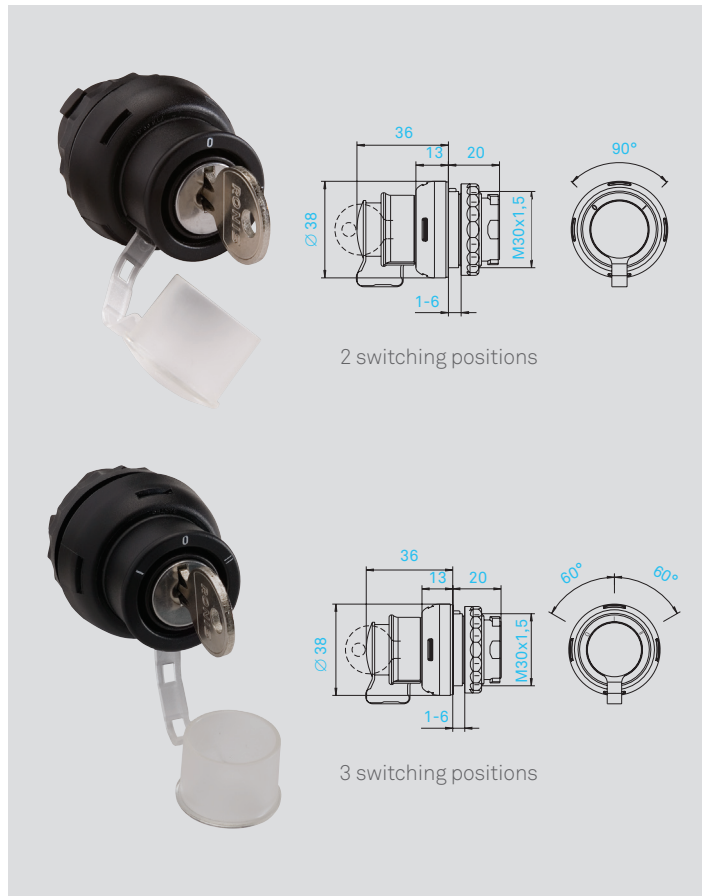
### Locking mushroom pushbutton

Description	Order no.
- push in without key, unlock with key	05-0003-001203
- DOM lock 4 A 185	
- weight 70 g	



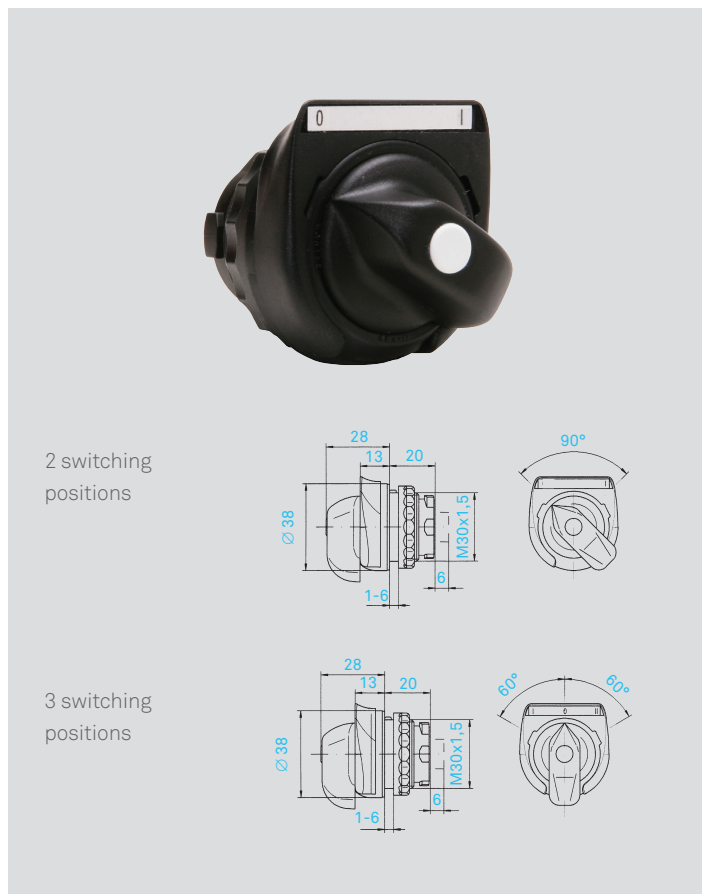
### Lock

Description	Order no.
- DOM lock 4 A 185	
- weight 70 g	
Lockable in both positions, key retractable in both positions	05-0003-001200
Lockable in depressed position, key retractable in depressed position	05-0003-001201
Tip lock lockable in initial positions, key retractable in initial positions	05-0003-001202



### Key-operated switch

Description		Order no.
– Key-operated switch** RONIS lock 455		
– with 2 or 3 switching positions,		
– turned 90° for ComEx enclosures		
– weight 49 g		
0 - I latching key retractable	for control units for ComEx enclosures	05-0003-007700 05-0003-007800
0 - I momentary contact Position I, key not retractable	for control units for ComEx enclosures	05-0003-007701 05-0003-007801
0 - I latching Position I, key not retractable	for control units for ComEx enclosures	05-0003-007702 05-0003-007802
I - 0 - II (I + II latching) key retractable	for control units for ComEx enclosures	05-0003-007900 05-0003-008000
I - 0 - II (I + II momentary contact) Position I + II key not retractable	for control units for ComEx enclosures	05-0003-007901 05-0003-008001



### Position selector switch (black)

Description		Order no.
– with 2 or 3 switching positions		
– weight 33 g		
0 - I (latching)	for control units turned 90° for ComEx enclosures	05-0003-000900 05-0003-000901
0 - I (momentary)	for control units turned 90° for ComEx enclosures	05-0003-000902 05-0003-000903
I - 0 - II (I + II latching)	for control units turned 90° for ComEx enclosures	05-0003-001000 05-0003-001100
I - 0 - II (I + II momentary)	for control units turned 90° for ComEx enclosures	05-0003-001001 05-0003-001101
I - 0 - II (I latching, II momentary)	for control units turned 90° for ComEx enclosures	05-0003-001002 05-0003-001102
I - 0 - II (I momentary, II latching)	for control units turned 90° for ComEx enclosures	05-0003-001003 05-0003-001103



### Lamp module actuator

Description	Order no.
- weight 19 g	
red	05-0003-001300
green	05-0003-001400
yellow	05-0003-001500
white	05-0003-001600
blue	05-0003-001700



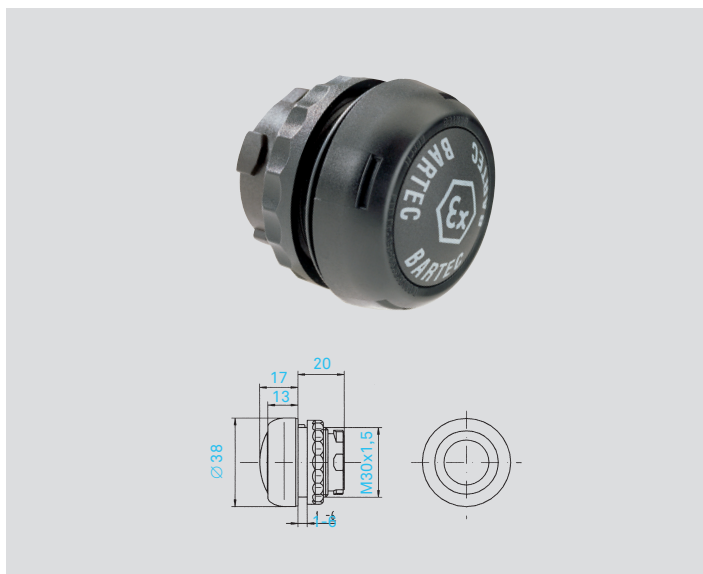
### Illuminated button actuator

Description	Order no.
- weight 19 g	
red	05-0003-006500
green	05-0003-006600
yellow	05-0003-006700
white	05-0003-006800
blue	05-0003-006900



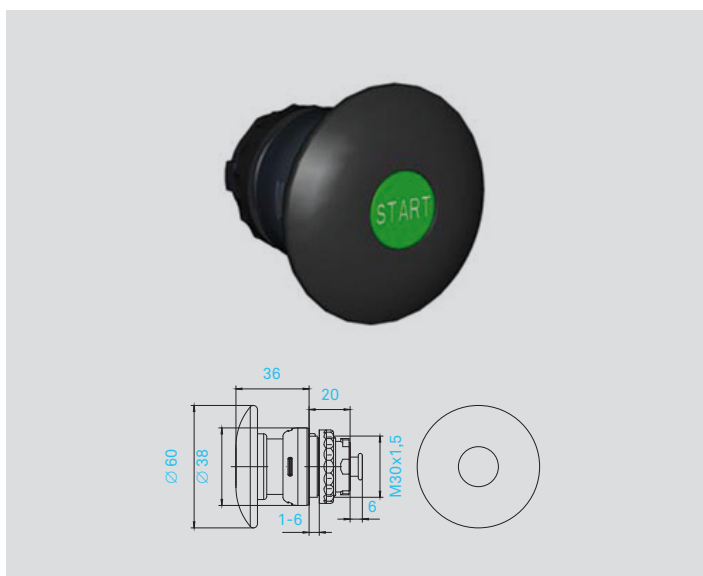
### Potentiometer actuator (black)

Description	Order no.
- durable and abrasion-resistant scale gradation from 0 to 10	05-0003-007600
- weight 28 g	



### Blanking plug

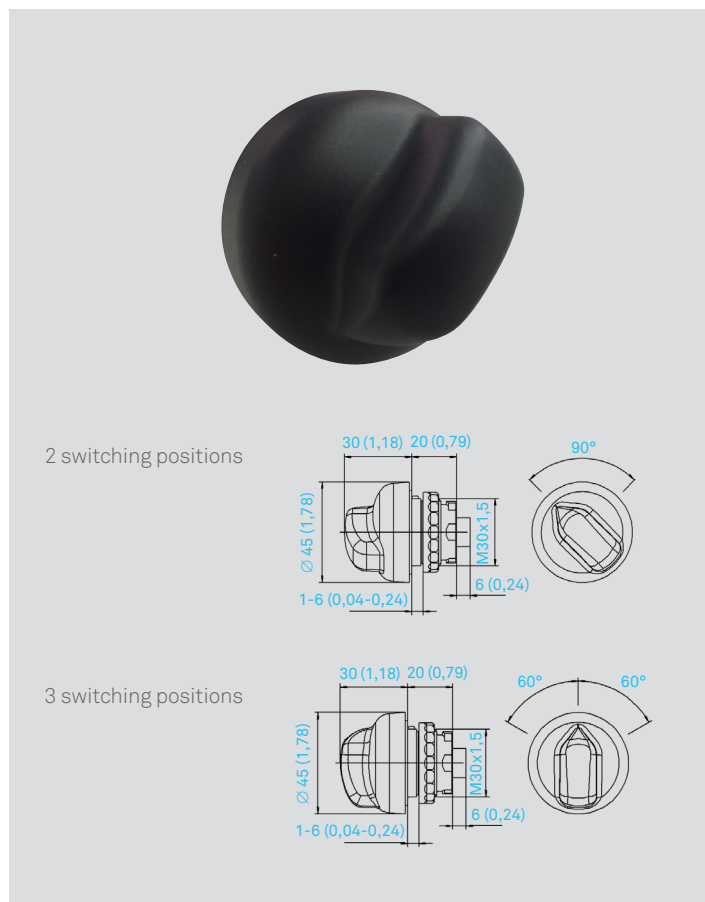
Description	Order no.
- to cover unused holes in the cover	05-0003-001900
- weight 20 g	



### Mushroom pushbutton (black)

Description	Order no.
- with pushbutton label "START"	
- weight 24 g	
black	05-0003-008200
with pushbutton label "START"	05-0003-008201





### Position selector switch BS

Description		Order no.
– black		
– with 2 or 3 switching positions,		
– turned 90° for ComEx enclosures		
– weight 33 g (0.073 lb)		
0 - I	for control units	05-0003-000900BS
	for ComEx enclosures	05-0003-000901BS
I - 0 - II (I + II latching)	for control units	05-0003-001000BS
	for ComEx enclosures	05-0003-001100BS
I - 0 - II (I + II momentary contact)	for control units	05-0003-001001BS
	for ComEx enclosures	05-0003-001101BS
I - 0 - II (I latching, II momentary contact)	for control units	05-0003-001002BS
	for ComEx enclosures	05-0003-001102BS
I - 0 - II (I momentary contact, II latching)	for control units	05-0003-001003BS
	for ComEx enclosures	05-0003-001103BS

# ComEx<sup>flex</sup> Switch module

for local control stations and control panels



The ComEx<sup>flex</sup> switch module is used in almost all hazardous areas where machine functions are activated by means of a button or a switch. The ComEx<sup>flex</sup> is flexible and in addition to a large number of actuating elements it offers a junction box to facilitate a safe and convenient installation of the module into a control panel.

All contacts in the switch modules are selfcleaning and the opening contacts have positive opening operation. The conductors are connected by means of terminals on the back of the module which have an increased safety level. The easy installation of the actuating elements, without the use of tools, ensures conformance to the high IP degree of protection.

- One module for all fields of application
- Large selection of actuating elements
- High flexibility thanks to the junction box
- Low installation depth

### Explosion protection

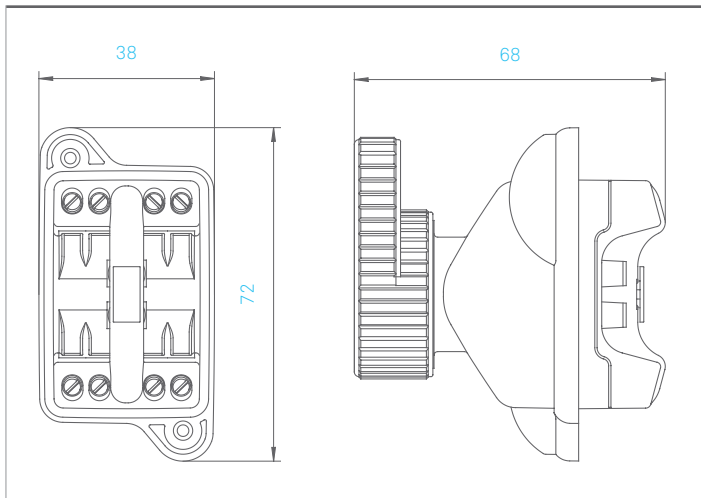
Marking ATEX	Ex II 2G Ex db eb IIC Gb Ex I M2 Ex db eb I Mb
Certification	CML 17 ATEX 1105 U
Marking IECEx	Ex db eb IIC Gb Ex db eb I Mb
Certification	IECEx CML 17.0045U

Other approvals and certificates, see [bartec.com](http://bartec.com)

### Technical data

Ambient temperature	-55 °C to +60 °C			
Protection class	determined by the actuating element and control station enclosure, min. IP 66, terminals IP 20 (IEC 60529).			
Rated insulation voltage	690 V			
Rated voltage	400 V	400 V	110 V	60 V
Utilization category	AC-12	AC-15	DC-13	DC-13
Rated operating currents	16 A	10 A	1 A	2 A
Conventional thermal current $I_{the}$	16 A/+40 °C, 11 A/+60 °C			
Contact options	contacts with positive-break operation (self-cleaning) 1 N/C and 1 N/O or 2 N/C or 2 N/O			
Contact material	AgSnO <sub>2</sub>			
Enclosure material	Thermoplastic			
Connection	Terminals 2.5 mm <sup>2</sup> , fine stranded			
Electrical load gold-plated contacts	Min. DC 2 V - 300 mA Max. DC 60 V - 1 mA For alternating current, these values are not to be interpreted as peak values.			
Mechanical life	>10 <sup>6</sup> switching cycles			
Storage and transport temperature	-55 °C to +70 °C			
Weight	approx. 110 g			
Mounting	locked, bayonet lock			
Shock resistance	DIN EN/IEC 60068-2-27, 30 g 18 ms			

### Dimensions



### Ordering information

Switch module without actuating element

0	7	-	3	3	2	3	-	4	*	0	0	0	0	0	*
A										B					

Actuating element

0	5	-	0	0	0	3	-	0	0	*	*	*	*
										C C C C			

Type of contacts	Code A	Actuating element	Code CCCC
2 NC	1	Pushbutton	0700
		Double push button actuator	7400
		Emergency stop NOT-AUS	0800
		Selector switch 0 + I latching, 2 positions	0900
		Selector switch I + II latching, 3 positions	1000
2 NO	2	Selector switch I + II latching, 3 positions	1000
		Selector switch I + II momentary-contact, 3 positions	1001
		Selector switch I latching, II momentary-contact, 3 positions	1002
		Selector switch I momentary-contact, II latching, 3 positions	1003
		Mushroom pushbutton, black	1800
1 NC + 1 NO	4	Mushroom pushbutton, black	1800
		Lockable in both positions, DOM lock	1200
		Lockable in the depressed position, DOM lock	1201
		Lockable in the initial position, DOM lock	1202
		Locking-type mushroom pushbutton	1203

#### Code B

0 = silver-plated contacts  
1 = gold-plated contacts

Please enter code number. Other actuators available see [bartec.com](http://bartec.com)



- One module for all fields of application
- Excellent luminosity
- High flexibility thanks to the junction box
- Low installation depth

The ComEx<sup>flex</sup> illuminated button is used in almost all hazardous (potentially explosive) areas where machine functions are activated by pressing a button and the corresponding functional status is to be indicated visually. ComEx<sup>flex</sup> is flexible and in addition to a large number of illuminated button actuators it offers a junction box to facilitate a safe and convenient installation of the module into a control panel. The module contacts are designed as snap-action contact elements. The conductors are connected by means of terminals on the back of the module which have an increased safety level. The easy installation of the lamp module actuating elements, without the use of tools, ensures conformance to the high IP degree of protection.

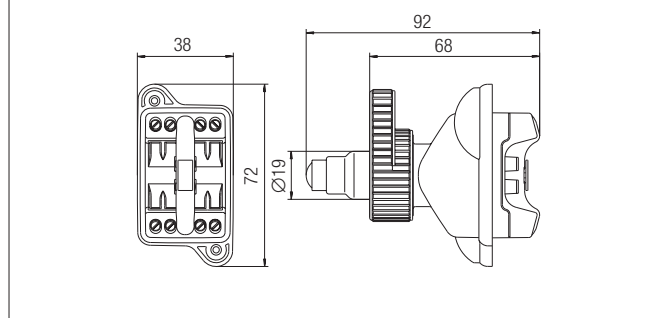
### Explosion protection

Marking ATEX	II 2G Ex db eb IIC Gb I M2 Ex db eb I Mb
Certification	CML 17 ATEX 1106 U
Marking IECEx	Ex db eb IIC Gb Ex db eb I Mb
Certification	IECEx CML 17.0046U
Other approvals and certificates, see <a href="http://www.bartec.de">www.bartec.de</a>	
Ambient temperature	-55 °C to +60 °C

### Technical data

Protection class	determined by the actuating element and control station enclosure, min. IP 66, terminals IP 20 (IEC 60529).	
Rated insulation voltage	300 V	
Rated operating voltage	AC 12 V to 250 V	(T <sub>a</sub> ≤ +50 °C)
	DC 12 V to 60 V	(T <sub>a</sub> ≤ +50 °C)
	AC/DC 12 V to 24 V	(T <sub>a</sub> ≤ +60 °C)
Power consumption	< 1 W	
Lamp	LED, red, green, yellow, white, blue	
Illumination	very bright, visible angle over 180°	
Contacts	1 N/C or 1 N/O as snap switch element AC-15 1 A/230 V DC-13 0.25 A/24 V	
Enclosure material	thermoplastic	
Type of connection	terminals 2.5 mm <sup>2</sup> , fine-stranded	
Electrical life	>10 <sup>5</sup> running hours	
Mechanical life	>10 <sup>5</sup> switching cycles	
Storage and transport temperature	-55 °C to +70 °C	
Weight	approx. 110 g	
Mounting	locked, bayonet lock	
Shock resistance	DIN EN 60068-2-27, 30 g 18 ms	

### Dimensions



### Ordering information

Type of contact	Code no.	Colour LED	Code no.	Colour actuator	Code no.
 1 NC	7	red	1	red	5
		green	2	green	6
		yellow	3	yellow	7
 1 NO	8	white	4	white	8
		blue	5	blue	9

Complete order no.			
<b>Illuminated button</b> without actuating element	07-3363-4	<input type="checkbox"/>	0
<b>Actuating element</b> Standard	05-0003-006	<input type="checkbox"/>	00
Increased oil resistance	05-0003-006	<input type="checkbox"/>	00BN

Please enter code number.  
Technical data subject to change without notice.



- One module for all intrinsically safe application areas
- Excellent luminosity
- High flexibility due to junction box
- Low installation depth

The ComEx<sup>flex</sup> Ex i illuminated button is used in almost all hazardous (potentially explosive) areas where machine functions are to be activated at the touch of a button and the corresponding functional status is to be visually displayed. The illuminated buttons are produced in conformance to the requirements for the “e increased safety”, “d flameproof enclosure”, and “i intrinsic safety types of protection”. They may be activated by intrinsically safe circuits. ComEx<sup>flex</sup> is flexible and in addition to a large number of illuminated button actuators, it offers a junction box to facilitate a safe and convenient installation of the module into a control panel. The module’s contacts are designed as snap-action switching elements. Conductors are connected using terminals with increased safety on the back of the module. The illuminated button actuators can be fitted easily, without the use of tools, which ensures conformance to the high IP degree of protection.

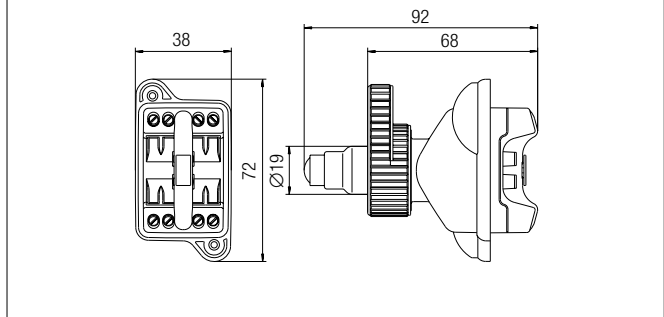
**Explosion protection**

Marking ATEX	II 2G Ex db eb ia IIC Gb I M2 Ex db eb ia I Mb
Certification	CML 17 ATEX 1106 U
Marking IECEx	Ex db eb ia IIC Gb Ex db eb ia I Mb
Certification	IECEx CML 17.0046U
Other approvals and certificates, see <a href="http://www.bartec.de">www.bartec.de</a>	
Ambient temperature	-55 °C to +60 °C

**Technical data**

Protection class	determined by actuating element and control station enclosure, min. IP 66, terminals IP 20 (IEC 60529).
Rated operating voltage (U <sub>e</sub> )	AC/DC 10 to 30 V
Frequency range	with AC supply 30 to 100 Hz
Power consumption	≤ 0.5 W
Lamp	LED, red, green, yellow, white, blue
Illumination	very bright, visible angle over 180°
Contacts	1 N/C or 1 N/O as snap switch element DC-13 0.25 A/24 V
Enclosure material	thermoplastic
Type of connection	terminals 2.5 mm <sup>2</sup> , fine-stranded
Electrical life	>10 <sup>5</sup> running hours
Mechanical life	>10 <sup>5</sup> switching cycles
Storage and transport temperature	-55 °C to +70 °C
Weight	approx. 110 g
Mounting	locked, bayonet lock
Shock resistance	DIN EN 60068-2-27, 30 g, 18 ms DIN EN 60068-2-6, 4 g, 1.6 mm

**Dimensions**



**Intrinsically safe parameters**

Input voltage (U <sub>i</sub> )	30 V
Input current (I <sub>i</sub> )	150 mA
Input power (P <sub>i</sub> )	1 W
Inductance (L <sub>i</sub> )	negligible
Capacitance (C <sub>i</sub> )	negligible

**Selection chart**

Type of contact	Code no.	Colour LED	Code no.	Colour actuator	Code no.
 1 NC	5	red	1	red	5
		green	2	green	6
		yellow	3	yellow	7
 1 NO	6	white	4	white	8
		blue	5	blue	9

Complete order no.

**Illuminated button** without actuating element 07-3363-4   0

**Actuating element** Standard 05-0003-006  00

Increased oil resistance 05-0003-006  00BN

Please enter code number.  
 Technical data subject to change without notice.



- One module for all fields of application
- Illumination 180°
- High flexibility due to junction box
- Low installation depth

The ComEx<sup>flex</sup> lamp module indicates command modes by means of a light signal lighting up or going out. It is suitable for use in almost all explosive areas in which a visual indication of a machine's functional status is required. The lamp module can be combined with various lamp module actuating elements. A junction box is available to facilitate a safe and convenient installation of the module into a control panel. The conductors are connected by means of terminals on the back of the module which have an increased safety level. The lamp module actuating elements can be fitted easily, without the use of tools, which ensures conformance to the high IP degree of protection.

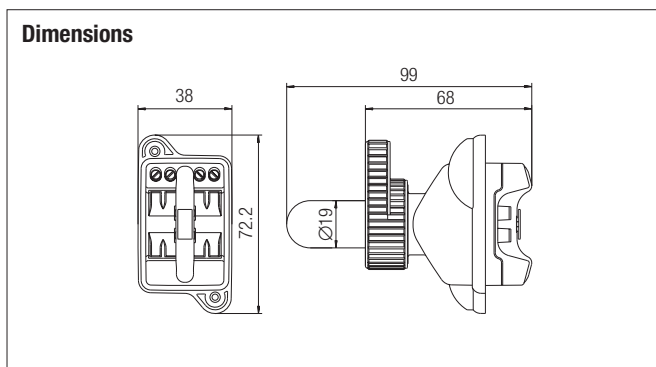
### Explosion protection

Marking ATEX	II 2G Ex db eb IIC Gb I M2 Ex db eb I Mb
Certification	CML 17 ATEX 1106 U
Marking IECEx	Ex db eb IIC Gb Ex db eb I Mb
Certification	IECEx CML 17.0046 U
Other approvals and certificates, see <a href="http://www.bartec.de">www.bartec.de</a>	
Ambient temperature	-55 °C to +60 °C

### Technical data

Technical data	determined by actuating element and control station enclosure, min. IP 66, terminals IP 20 (IEC 60529).	
Rated insulation voltage	300 V	
Rated operating voltage	AC 12 V to 250 V	( $T_a \leq +50$ °C)
	DC 12 V to 60 V	( $T_a \leq +50$ °C)
	AC/DC 12 V to 24 V	( $T_a \leq +60$ °C)
Power consumption	$\leq 1$ W	
Lamp	LED, red, green, yellow, white, blue	
Illumination	very bright, visible angle over 180°	
Enclosure material	thermoplastic	
Connection	terminals 2.5 mm <sup>2</sup> , fine-stranded	
Electrical life	$>10^5$ running hours	
Storage and transport temperature	-55 °C to +70 °C	
Weight	approx. 110 g	
Mounting	locked, bayonet lock	
Shock resistance	DIN EN 60068-2-27, 30 g 18 ms	

### Dimensions



### Ordering information

Wiring diagram	Colour LED	Code no.	Colour actuator	Code no.
	red	1	red	3
	green	2	green	4
	yellow	3	yellow	5
	white	4	white	6
	blue	5	blue	7

Complete order no.

<b>Lamp module</b> without actuating element	07-3353-41	<input type="checkbox"/> 0
<b>Actuating element</b> Standard	05-0003-001	<input type="checkbox"/> 00
Increased oil resistance	05-0003-001	<input type="checkbox"/> 00BN

Please enter code number.

Technical data subject to change without notice.



- One module for all intrinsically safe application areas
- Illumination 180°
- High flexibility due to junction box
- Low installation depth

The ComEx<sup>flex</sup> Ex i lamp module indicates command modes by means of a light signal lighting up or going out. It is suitable for use in almost all hazardous (potentially explosive) areas in which a visual indication of a machine's functional status is required. The lamp modules are designed to conform to the requirements of the "e increased safety", "d flameproof enclosure" and "i intrinsic safety types of protection". They may be activated by intrinsically safe circuits. The lamp module can be combined with various lamp module actuators. A junction box is available to facilitate a safe and convenient installation of the module into a control panel. Conductors are connected using terminals with increased safety on the back of the module. The lamp module actuators can be fitted easily, without the use of tools, which ensures conformance to the high IP degree of protection.

**Explosion protection**

Marking ATEX	⊕ II 2G Ex db eb ia IIC Gb ⊕ I M2 Ex db eb ia I Mb
Certification	CML 17 ATEX 1106 U
Marking IECEx	Ex db eb ia IIC Gb Ex db eb ia I Mb
Certification	IECEx CML 17.0046U
Other approvals and certificates, see <a href="http://www.bartec.de">www.bartec.de</a>	
Ambient temperature	-55 °C to +60 °C

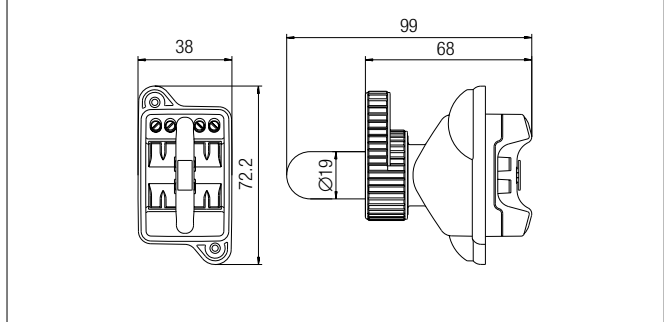
**Intrinsically safe parameters**

Input voltage (U <sub>i</sub> )	30 V
Input current (I <sub>i</sub> )	150 mA
Input power (P <sub>i</sub> )	1 W
Inductance (L <sub>i</sub> )	negligible
Capacitance (C <sub>i</sub> )	negligible

**Technical data**

Protection class	determined by actuating element and control unit enclosure, min. IP 66, terminals IP 20 (IEC 60529).
Rating operating voltage (U <sub>p</sub> )	AC/DC 10 to 30 V
Frequency range	with AC supply 30 to 100 Hz
Power consumption	≤ 0.5 W
Lamp	LED, red, green, yellow, white, blue
Illumination	very bright, visible angle over 180°
Enclosure material	thermoplastic
Type of connection	terminals 2.5 mm <sup>2</sup> , fine-stranded
Electrical life	>10 <sup>5</sup> running hours
Storage and transport temperature	-55 °C to +70 °C
Weight	approx. 110 g
Fastening	locked, by bayonet lock
Shock resistance	DIN EN 60068-2-27, 30 g, 18 ms DIN EN 60068-2-6, 4 g, 1.6 mm

**Dimensions**



**Ordering information**

Wiring diagram	LED colour	Code no.	Actuator colour	Code no.
	red	1	red	3
	green	2	green	4
	yellow	3	yellow	5
	white	4	white	6
	blue	5	blue	7

Complete order no.

<b>Lamp module</b> without actuator	07-3353-44	<input type="checkbox"/> 0
<b>Actuating element</b> Standard	05-0003-001	<input type="checkbox"/> 00
Increased oil resistance	05-0003-001	<input type="checkbox"/> 00BN

Please insert correct code.  
Technical data subject to change without notice.





- One module for all fields of application
- High flexibility thanks to the junction box
- Low installation depth

The ComEx<sup>flex</sup> potentiometer is used in almost all hazardous (potentially explosive) areas where machine functions are controlled by means of adjustable voltage distributors. The module can be combined with a potentiometer actuator (scale graduation 0 to 10). A junction box is available as a safe and convenient means of installing the potentiometer in a control panel. The conductors are connected by means of terminals on the back of the module which have an increased safety level. The easy installation of the potentiometer actuating element without the need for tools, ensures conformance to the high IP degree of protection.

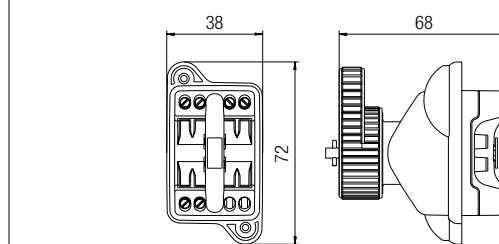
### Explosion protection

Marking ATEX	II 2G Ex db eb IIC Gb I M2 Ex db eb I Mb
Certification	CML 17 ATEX 1119 U
Marking IECEx	Ex db eb IIC Gb Ex db eb I Mb
Certification	IECEx CML 17.0057U
Other approvals and certificates, see <a href="http://www.bartec.de">www.bartec.de</a>	
Ambient temperature	-55 °C to +60 °C

### Technical data

Protection class	determined by the actuating element and control station enclosure, min. IP 66, terminals IP 20 (IEC 60529).
Rated insulation voltage	500 V
Max. rated voltage	AC/DC 230 V
Resistance	1 kΩ to 10 kΩ
Curve shape	linear
Resistance tolerance	+ 20 %
Rated output	max. 1 W for $T_a \leq +40$ °C
Resistor material	carbon film on ceramics
Rotation	mech. 285° to 5° electr. approx. 250°
Torque (beginning)	0.5 to 1.5 Ncm
Torque (end stop)	≥ 100 Ncm
Enclosure material	thermoplastic
Connection	double terminals 2 x 2.5 mm <sup>2</sup> , fine-stranded
Mechanical life	25,000 sinusoidal cycles
Storage and transport temperature	-55 °C to +70 °C
Weight	approx. 110 g

### Dimensions



### Ordering information

Wiring diagram	Resistance	Code no.
	1 kΩ	4
	2.2 kΩ	5
	4.7 kΩ	6
	10 kΩ	7
	Other levels of resistance on request.	

Complete order no.

**Potentiometer** without actuating element 07-3373-4D  0

Please enter code number.

Technical data subject to change without notice.

### Actuating element

Standard (Scale 1 to 10) Order no. 05-0003-007600  
 Increased oil resistance (Scale 1 to 10) Order no. 05-0003-007600BN

### Notes for installation and inspection

At rated voltage:  
 ≤ AC 50 V/≤ DC 120 V  
 (Safety extra low voltage in conformance to DIN VDE 0100 T. 410)  
 The potentiometer drive shaft can be operated without actuating element.

At rated voltage:  
 ≥ AC 50 V to max. AC/DC 230 V  
 Potentiometer drive shaft must be operated with an actuating element or it must be deenergized.





BARTEC offers a junction box to facilitate the use of ComEx<sup>flex</sup> in a control console or a control panel. The junction box features a cable gland and can be combined with various function modules. The junction box allows the connection of a conductor, which can be assembled either to order or by the customer.

ComEx<sup>flex</sup> junction boxes with function modules



**ComEx<sup>flex</sup> junction boxes**

in conjunction with ComEx<sup>flex</sup> function modules

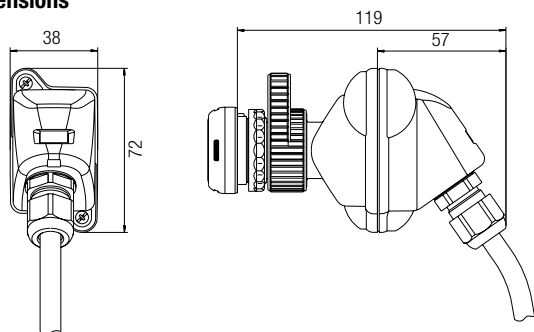
**Explosion protection**

Marking ATEX	Ⓢ II 2G Ex db eb IIC T6 Gb Ⓢ II 2G Ex db eb ia IIC T6 Gb Ⓢ II 2D Ex tb IIIC T80 °C Db Ⓢ II 2D Ex tb ia IIIC T80 °C Db
Certification	CML 17 ATEX 1117 X
Marking IECEx	Ex db eb IIC T6 Gb Ex db eb ia IIC T6 Gb Ex tb IIIC T80 °C Db Ex tb ia IIIC T80 °C Db
Certification	IECEx CML 17.0055X
Other approvals and certificates, see <a href="http://www.bartec.de">www.bartec.de</a>	
Ambient temperature	55 °C to +40 °C / +50 °C / +60 °C
Approved for Zone	1/21 and 2/22

**Technical data**

Protection class	Function module with junction box and actuating element min. IP 66
Weight	approx. 40 g
Clamping range	4 to 9 mm 5 to 10 mm
Enclosure material/ manufacturing process	Thermoplastic/injection moulding
Sheathed leads available on request	BETAflam 145-flex UL ULstyle 4486
	Switch module 4 x 1.5 mm <sup>2</sup> BK, BU, BN, GY Lamp Module 2 x 0.75 mm <sup>2</sup> BU, BN Illuminated button 4 x 0.75 mm <sup>2</sup> BK, BU, BN, GY Potentiometer 3 x 0.75 mm <sup>2</sup> BK, BN, GY

**Dimensions**



**Ordering information**

Version	Order no.
Junction box	05-0042-0050

Technical data subject to change without notice.